

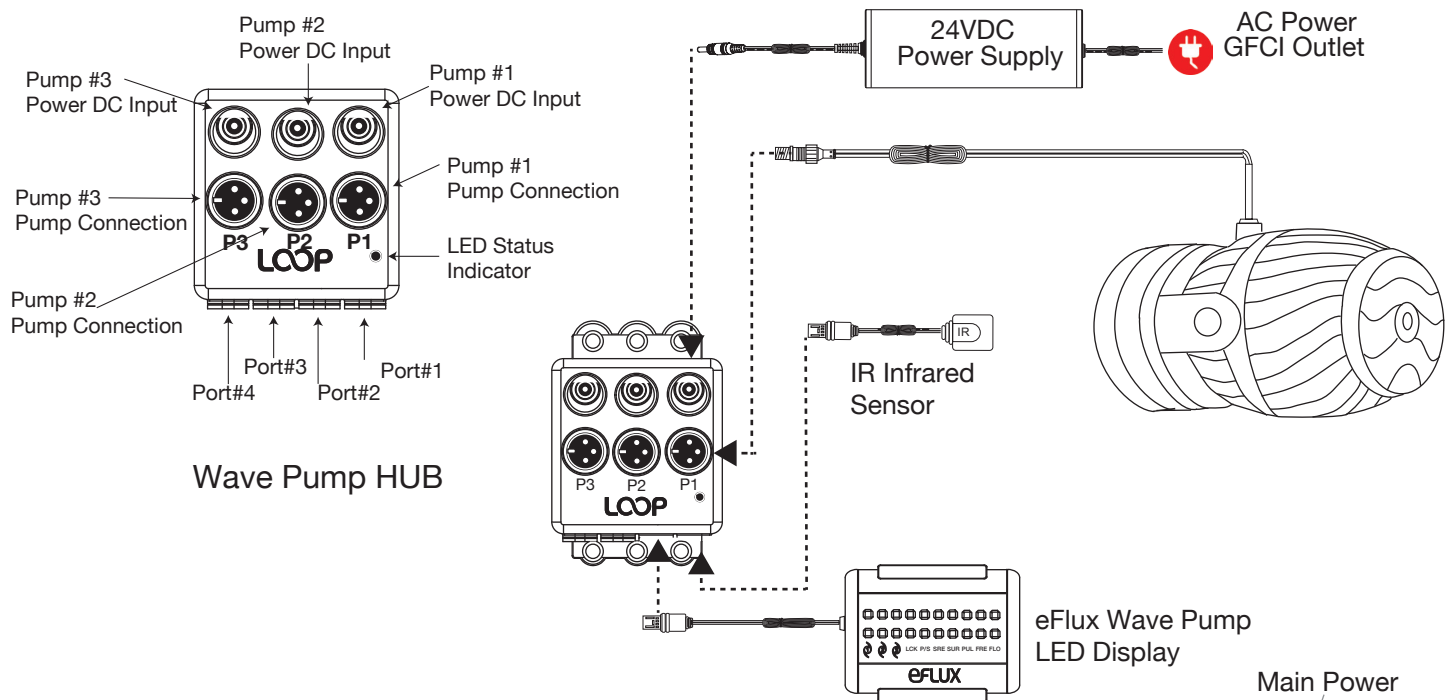


eFlux™ Wave Pump

Quick Start Guide

IMPORTANT: Before installation, read ALL SAFETY INSTRUCTIONS on page X.

- Step 1.** Remove wave pump and all components from packaging. Remove magnet assembly end of wave pump. Place wave pump in desired location in the aquarium, attach using magnet.
- Step 2.** Mount wave pump HUB and eFlux LED display controller next to each other in a dry location, ensuring drip loop is in place (see page x.) Plug eFlux LED pump display microUSB into Port#2 on wave pump HUB.
- Step 3.** Connect wave pump to wave pump HUB plug "P1". Plug 24VDC power supply into corresponding DC plug on wave pump HUB. Plug transformer into a GFCI protected outlet ensuring drip loop is in place (see page xx.)
- Step 4.** Connect IR infrared sensor to wave pump HUB into PORT #1. Locate sensor receiver in desired location.



- Step 5.** Remove clear plastic tab from battery compartment on remote.
- Step 6.** Press Main Power key to turn pump on. Pump will now operate in its default setting - Stream/Constant Flow Mode at 100% flow.

Refer to page X for default program, follow instructions to customize.

Please visit our website for installation videos at www.current-usa.com



Remove Battery Tab