

SUNPAQ™ RETROFIT

Lighting Kit

Instructions for Models
#1601, 1602, 1603, 1604,1606,
1611, 1612, 1613, 1614,1615

Important Safety Instructions	Page 2
Introduction	Page 4
Installation Instructions	Page 5
Warranty	Page 7



CURRENT

WHAT'S NEXT

EMAIL: INFO@CURRENT-USA.COM

WWW.CURRENT-USA.COM

05-2005-JEE

SAFETY INSTRUCTIONS

WARNING

To guard against injury, basic safety precautions should be observed, including the following:

READ AND FOLLOW ALL SAFETY INSTRUCTIONS

DANGER

To avoid possible electric shock, special care should be taken since water is employed in the use of aquarium equipment. For each of the following situations, do not attempt repairs by yourself; return the appliance to an authorized service facility for service or discard the appliance:

1. If electrical components of the fixture get wet, unplug the appliance immediately.
2. Carefully examine the fixture after installation. It should not be plugged in if there is water on parts not intended to be wet.
3. Do not operate fixture if it has a damaged cord or plug, or if it is malfunctioning or damaged in any manner. See the drip loop instructions on the next page for proper power cord installation.
4. If the plug or receptacle does get wet, DON'T unplug the cord. Disconnect the fuse or circuit breaker that supplies power to the fixture. Then, unplug and examine for presence of water in the receptacle.
5. Close supervision is necessary when any appliance is used by or near children.
6. To avoid injury, do not contact hot parts such as lamps and the like.
7. Always unplug the fixture from an outlet when not in use, before putting on or taking off parts, and before cleaning. Never yank cord to pull plug from outlet. Grasp the plug and pull to disconnect.
8. Do not use the fixture for other than intended use. The use of attachments not recommended or sold by the fixture manufacturer may cause an unsafe condition.
9. Do not install or store the fixture where it will be exposed to the weather or to temperatures below freezing.
10. Make sure the fixture is securely installed before operating it.
11. Read and observe all the important notices on the fixture.
12. If an extension cord is necessary, a cord with a proper rating should be used. A cord rated for less Amperes or watts than the fixture rating may overheat. Care should be taken to arrange the cord so that it will not be tripped over or pulled.

SAVE THESE INSTRUCTIONS



CURRENT

WHAT'S NEXT

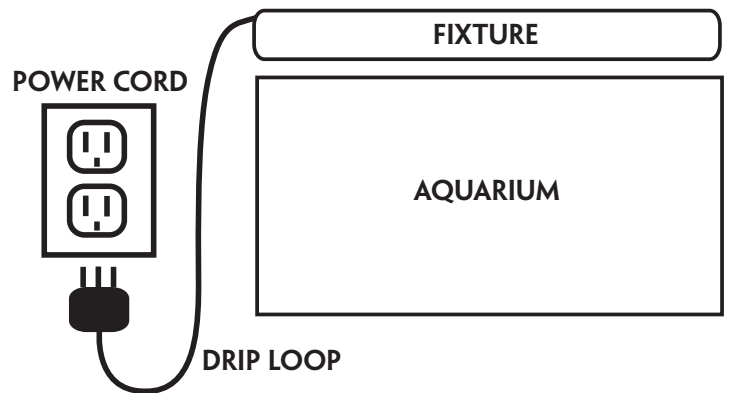
SAFETY INSTRUCTIONS

IMPORTANT SAFETY INSTRUCTIONS

WARNING

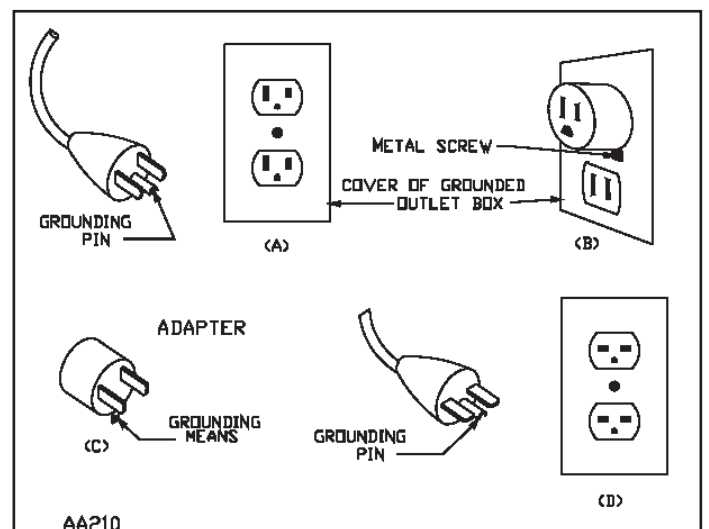
To guard against injury, basic safety precautions should be observed, including the following on drip loops:

To avoid the possibility of the appliance plug or receptacle getting wet, position aquarium stand and tank to one side of a wall-mounted receptacle to prevent water from dripping onto the receptacle or plug. A “drip loop,” shown in the figure below, should be arranged by the user for each cord connecting an aquarium appliance to a receptacle. The “drip loop” is that part of the cord below the level of the receptacle, or the connector if an extension cord is used, to prevent water traveling along the cord and coming in contact with the receptacle. If the plug or receptacle does get wet, DON'T unplug the cord. Disconnect the fuse or circuit breaker that supplies power to the appliance. Then, unplug and examine for presence of water in the receptacle.



GROUNDING INSTRUCTIONS

This appliance should be grounded to minimize the possibility of electric shock. This appliance is equipped with an electric cord having an equipment grounding conductor and a grounding type plug. The plug must be plugged into an outlet that is installed and grounded in accordance with all appropriate codes and ordinances. This appliance is for use on a nominal 120-volt circuit, and has a grounding plug that looks like the plug illustrated in (A) to the right. A temporary adapter which looks like the adapter illustrated in (B) and (C) below may be used to connect this plug to a two-pole receptacle as shown in (B) if a grounded outlet is not available. The temporary adapter should be used only until a grounded outlet can be installed by a qualified electrician. The green-colored rigid ear (lug, and the like) extending from the adapter must be fastened to a permanent ground such as a grounded outlet box.



SAVE THESE INSTRUCTIONS



CURRENT

WHAT'S NEXT

INTRODUCTION

The SunPaq Retrofit is designed to supplement existing lighting or to completely retrofit a new setup with the power of the SunPaq compact fluorescent light system. Your SunPaq retrofit kit features the SunPaq compact fluorescent lamp(s), parabolic reflector(s) to optimize light output from each lamp, and high-output electronic ballast(s) complete with our patented end cap locking system that provides the safest installation method in the industry.

Retrofit must be used over a completely covered aquarium-direct water contact and moisture from evaporation can damage the bulbs and end caps.

Retrofit is designed to be installed inside a well ventilated hood or canopy-a fan is recommended to allow bulbs to burn at their proper color temperature and extend lifespan.

Ballasts and electrical connections must be kept away from moisture-a GFCI protected outlet must be used when installing this retrofit.

Before installing the retrofit box please inspect the items for damaged or missing parts. Your SunPaq retrofit kit should have the following: If any of these parts are damaged or missing, please contact your dealer.

ONE LAMP MODELS (#1611, 1612, 1613, 1614, 1615)

- A) SmartPaq 10,000k and 460 nm lamp (1)
- B) Parabolic reflector (1)
- C) Electronic ballast (1)
- D) 10' lamp cord with quick disconnect and moisture resistant locking end cap (1)
- E) Parts kit (1): Includes 2 lamp clips, 3 sheet metal screws, 1 black strain relief and 2 lamp guards.
(Not included with model 1615)

TWO LAMP MODELS (#1601, 1602, 1603, 1604)

- A) Dual Daylight SunPaq lamp (1)
- B) Dual Actinic SunPaq lamp (1)
- C) Parabolic reflectors (2)
- D) Electronic ballast (1)
- E) 10' lamp cords with quick disconnect and moisture resistant locking end cap (2)
- F) Parts kit (2): Includes 2 lamp clips, 3 sheet metal screws, 1 black strain relief and 2 lamp guards.

FOUR LAMP MODEL (#1606)

- A) Dual Daylight SunPaq lamp (2)
- B) Dual Actinic SunPaq lamp (2)
- C) Parabolic reflectors (4)
- D) Electronic ballast (2)
- E) 10' lamp cords with quick disconnect and moisture resistant locking end cap (4)
- F) Parts kit (4): Includes 2 lamp clips, 3 sheet metal screws, 1 black strain relief and 2 lamp guards.

WARNING

- Exposing fixture/power cords to water may cause electrical short and fire.
- Do not allow water or salt to come in contact with fixture or power cords.
- Plug fixture into a GFCI outlet. Inspect once a month and remove any visible signs of salt build up.
- Misuse of this product may result in electrical short and fire. Do not operate without a complete set of instructions.



CURRENT

WHAT'S NEXT

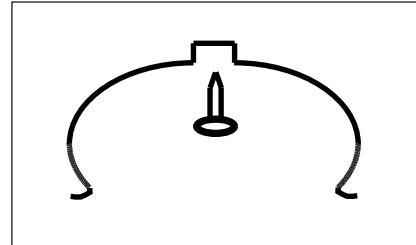
INSTALLATION INSTRUCTIONS

The SunPaq retrofit kit comes with hardware for installing the kit into a wooden canopy designed to accept retrofit lighting. Canopies made of other material, such as aluminum or acrylic, may require additional hardware or modification to accept the retrofit kit. Please consult the manufacturer of the canopy for their recommendations for mounting this retrofit.

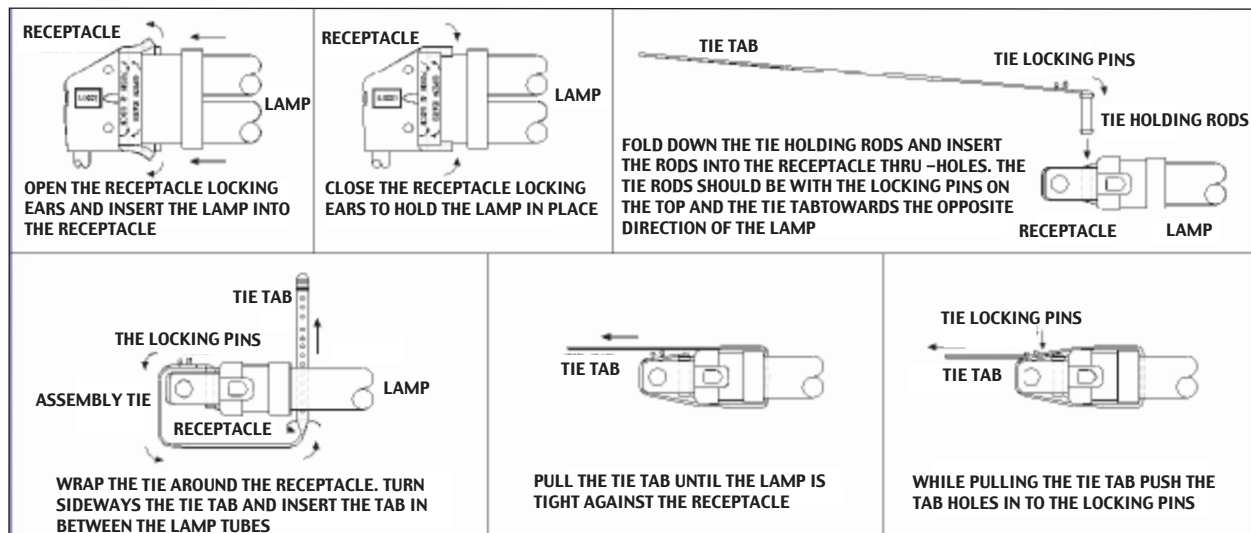
1. Remove the canopy from the aquarium and place it upside down on a table or floor.

2. Place the reflector(s) into the ceiling of the canopy, leaving at least a 1/2" between the reflector and the side wall of the canopy to run the cord going to the end cap.

3. Once you have determined the best layout for the reflector(s), secure them to the ceiling of the canopy with the sheet metal screws and lamp clips, first going through the mounting holes of the lamp clips and into the predrilled holes of the reflector.



4. Feed the cord(s) with end cap through the rear opening of the canopy. Secure the end cap to the base of the bulb, making sure that the pins of the bulb are firmly seated into the holes in the end cap. Secure the side flaps of the end cap to the plastic "ears" on the sides of the lamp base. Loop the locking strap through the middle of the two tubes and secure to the two plastic pins on the opposite side of the end cap, pulling firmly to help secure the lamp base into the moisture resistant end cap. Repeat with remaining lamps.



5. Install the lamp(s) into the clips, with the base of the lamp towards the outer edge of the canopy. In most cases it is better to place the actinic lamp(s) towards the front of the aquarium and the daylight lamp(s) towards the rear. Try arranging them in different configurations to suit your needs. Secure the lamps into place using the provided lamp guards as shown. (Except for Quad model 1615)

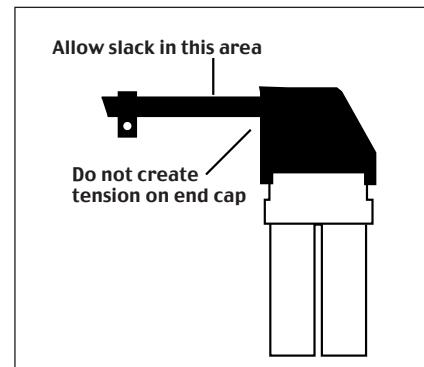


CURRENT

WHAT'S NEXT

INSTALLATION INSTRUCTIONS

6. Attach the black strain relief to the lamp cord about 4-6" from the end cap, enough so that there is some slack between the strain relief and the end cap (see diagram 3) and secure the strain relief to the ceiling of the canopy using the remaining sheet metal screw. Repeat with remaining lamps.
7. Carefully place the canopy back onto the aquarium, making sure that there is a glass or acrylic cover between the lamp(s) and the water. The lamp cord(s) should be coming out of the rear opening of the canopy and down the back of the aquarium.



8. Plug the quick disconnect(s) from the lamp cord(s) firmly into the ballast(s), securing the flaps from the ballast onto the plastic pins on the sides of the lamp cord connectors. Place the ballast(s) in a dry area where it is protected from moisture or accidental overflow of the aquarium or water spillage. The ballast must be plugged into a GFCI protected outlet.
9. Switch on the light(s). Make sure each lamp comes up to full brightness. If a lamp does not come on all the way or there is noise coming from the end cap region turn off the ballast(s) and check to make sure that the lamp base is firmly seated into the end cap.

YOUR SUNPAQ RETROFIT IS NOW INSTALLED AND READY FOR USE!

LIGHTING SUGGESTION (FOR 2 AND 4 LAMP MODELS ONLY)

Many aquarists choose to turn their actinic and daylight bulbs on and off independently at different times to create what is known as a “dawn/dusk” routine, which simulates the gradual increase of light in the morning and gradual decrease in the evening. A typical dawn/dusk routine involves turning the actinic lamps on first, followed by the daylights anywhere from 30-60 minutes later. Both sets of lamps can be run together for the time desired or required by the inhabitants of the aquarium (between 6-12 hours per day). The daylight bulbs will be the first to shut off followed by the actinics 30-60 minutes later. A common grounded household appliance timer can be used for each power cord with the ballast switches kept in the “on” position.



CURRENT

WHAT'S NEXT

WARRANTY

CURRENT USA, INC. ONE-YEAR LIMITED WARRANTY

Current USA, Inc. warrants this product against defects in materials and workmanship for a period of ONE (1) YEAR from the date of original retail purchase. Light Bulbs carry a 3 month warranty.

Note: Current-USA, Inc. One-Year Limited Warranty does not cover damage caused by the following: Improper installation, saltwater corrosion, and electrical surges.

If you discover a defect, Current USA, Inc. will, at it's option, repair or replace the product at no charge to you, provided you return it during the warranty period. It is required that you present this warranty card and a copy of the bill of sale as proof of original purchase date, in the event the product needs repairs, within the warranty period. Please see your dealer for return options. This warranty applies only to products by or for Current USA, Inc. that can be identified by trade name, or logo affixed to them. Current-USA, Inc. does not warrant any products that are not Current-USA, Inc. products. This warranty does not apply if the product has been damaged by accident, abuse, misuse or misapplication or if the product has been modified without the written permission of Current-USA, Inc.; or if any Current-USA, Inc. logos have been removed or defaced.

THE WARRANTY AND REMEDIES SET FORTH ABOVE ARE EXCLUSIVE AND IN LIEU OF ALL OTHERS, WHETHER ORAL OR WRITTEN, EXPRESS OR IMPLIED. Current USA, Inc. SPECIFICALLY DISCLAIMS ANY AND ALL IMPLIED WARRANTIES, INCLUDING BUT NOT LIMITED TO LOST PROFITS, DOWNTIME, GOODWILL, DAMAGE TO OR REPLACEMENT OF EQUIPMENT AND PROPERTY, AND ANY COSTS OF RECOVERING ANIMALS, PLANTS, TANKS OR OTHER AQUARIUM RELATED ITEMS AND/OR EQUIPMENT. Current USA, Inc. IS NOT RESPONSIBLE FOR SPECIAL, INCIDENTAL, OR CONSEQUENTIAL DAMAGES RESULTING FROM ANY BREACH OF WARRANTY, OR REPLACEMENT OF EQUIPMENT OR PROPERTY, OR ANY COSTS OF RECOVERING OR REPRODUCING ANY EQUIPMENT, ANIMALS OR PLANTS USED OR GROWN WITH Current USA, Inc. PRODUCTS.

Some jurisdictions do not allow the exclusion or limitation of incidental or consequential damages or exclusions of implied warranties, so the above limitations or exclusions may not apply to you. This warranty gives you specific legal rights, and you may also have other rights that vary form jurisdiction to jurisdiction.



CURRENT

WHAT'S NEXT