

# POWERBRITE LED™

## Lighting Systems & Modules

Instructions for Model  
PowerBrite LED™ #1643, 1644, 1645, 1646, 1647, 1648

Important Safety Instructions .....	Page 2
Installation Instructions .....	Page 4
Warranty .....	Page 7



**CURRENT**

WHAT'S NEXT

EMAIL: [INFO@CURRENT-USA.COM](mailto:INFO@CURRENT-USA.COM)

[WWW.CURRENT-USA.COM](http://WWW.CURRENT-USA.COM)

05-2007-JEE

# SAFETY INSTRUCTIONS

## WARNING

To guard against injury, basic safety precautions should be observed, including the following:

## READ AND FOLLOW ALL SAFETY INSTRUCTIONS

## DANGER

To avoid possible electric shock, special care should be taken since water is employed in the use of aquarium equipment. For each of the following situations, do not attempt repairs by yourself; return the appliance to an authorized service facility for service or discard the appliance:

1. If electrical components of the fixture get wet, unplug the appliance immediately.
2. Carefully examine the fixture after installation. It should not be plugged in if there is water on parts not intended to be wet.
3. Do not operate fixture if it has a damaged cord or plug, or if it is malfunctioning or damaged in any manner. See the drip loop instructions on the next page for proper power cord installation.
4. If the plug or receptacle does get wet, DON'T unplug the cord. Disconnect the fuse or circuit breaker that supplies power to the fixture. Then, unplug and examine for presence of water in the receptacle.
5. Close supervision is necessary when any appliance is used by or near children.
6. To avoid injury, do not contact hot parts such as lamps and the like.
7. Always unplug the fixture from an outlet when not in use, before putting on or taking off parts, and before cleaning. Never yank cord to pull plug from outlet. Grasp the plug and pull to disconnect.
8. Do not use the fixture for other than intended use. The use of attachments not recommended or sold by the fixture manufacturer may cause an unsafe condition.
9. Do not install or store the fixture where it will be exposed to the weather or to temperatures below freezing.
10. Make sure the fixture is securely installed before operating it.
11. Read and observe all the important notices on the fixture.
12. If an extension cord is necessary, a cord with a proper rating should be used. A cord rated for less Amperes or watts than the fixture rating may overheat. Care should be taken to arrange the cord so that it will not be tripped over or pulled.

## SAVE THESE INSTRUCTIONS



**CURRENT**

WHAT'S NEXT

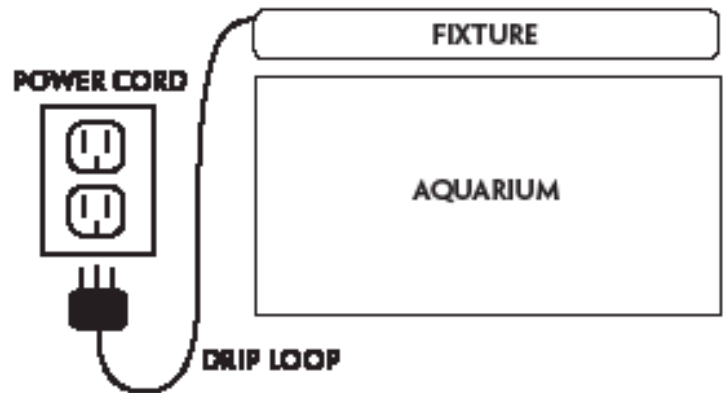
# SAFETY INSTRUCTIONS

## IMPORTANT SAFETY INSTRUCTIONS

### WARNING

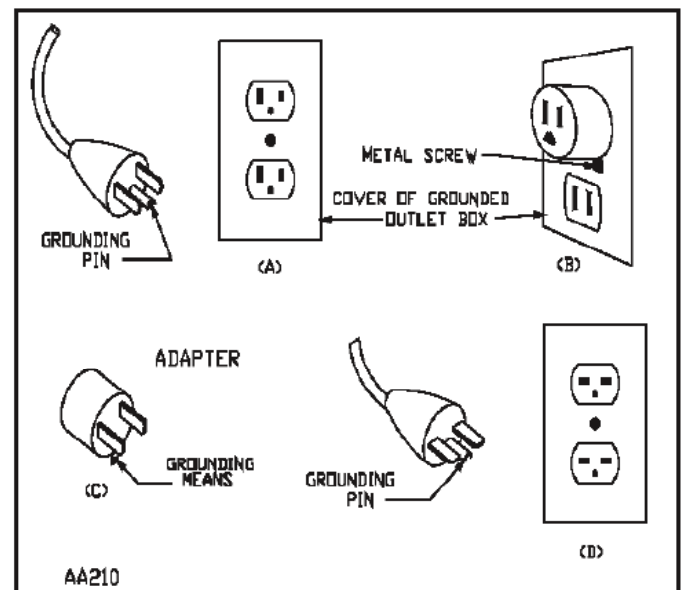
To guard against injury, basic safety precautions should be observed, including the following on drip loops:

To avoid the possibility of the appliance plug or receptacle getting wet, position aquarium stand and tank to one side of a wall-mounted receptacle to prevent water from dripping onto the receptacle or plug. A “drip loop,” shown in the figure below, should be arranged by the user for each cord connecting an aquarium appliance to a receptacle. The “drip loop” is that part of the cord below the level of the receptacle, or the connector if an extension cord is used, to prevent water traveling along the cord and coming in contact with the receptacle. If the plug or receptacle does get wet, DON'T unplug the cord. Disconnect the fuse or circuit breaker that supplies power to the appliance. Then, unplug and examine for presence of water in the receptacle.



## GROUNDING INSTRUCTIONS

This appliance should be grounded to minimize the possibility of electric shock. This appliance is equipped with an electric cord having an equipment grounding conductor and a grounding type plug. The plug must be plugged into an outlet that is installed and grounded in accordance with all appropriate codes and ordinances. This appliance is for use on a nominal 120-volt circuit, and has a grounding plug that looks like the plug illustrated in (A) to the right. A temporary adapter which looks like the adapter illustrated in (B) and (C) below may be used to connect this plug to a two-pole receptacle as shown in (B) if a grounded outlet is not available. The temporary adapter should be used only until a grounded outlet can be installed by a qualified electrician. The green-colored rigid ear (lug, and the like) extending from the adapter must be fastened to a permanent ground such as a grounded outlet box.



SAVE THESE INSTRUCTIONS

# INSTALLATION INSTRUCTIONS

## CONGRATULATIONS ON PURCHASING YOUR NEW POWERBRITE LED LIGHTING SYSTEM

Please carefully read all instructions and warnings below and enjoy your new lighting system.

In order to validate your warranty, please fill out the enclosed registration card or go online to our website <http://www.current-usa.com> to register your product electronically.

**NOTE: READ ALL INSTRUCTIONS AND WARNINGS LISTED WITHIN THIS MANUAL.  
PLEASE ALSO READ ALL WARNINGS AFFIXED TO THE FIXTURE.**

## INTRODUCTION

The PowerBrite adds a new dimension to aquarium illumination, combining the newest advances in technology with the most vivid effects of natural sunlight and moonlight. The use of LED's in modern society has been widespread due to its energy efficiency, high light output and lamp longevity. These same traits have made LED's the natural evolution in aquarium lighting. The PowerBrite gives you the ability to add up to 2 additional 4-lamp LED modules to the main unit to customize the look of your aquarium with either white, blue, or a combination of white and blue LED lighting. These modules can be used to add a shimmering effect to existing lighting systems, as a lunar lighting system giving your aquarium the look of a natural reef under a full moon at night, or the strips can be combined and used as the main lighting system for all types of aquariums.

- Carefully remove the lighting fixture/module from packaging.
- Make sure transformer connector is placed completely into the module socket.
- Plug the power cords into GFCI outlets.
- If you wish to use automatic light features, plug the wall transformer into timer before plugging into the GFCI outlet.
- DO NOT place fixture or module above non-covered aquariums. This light fixture is designed to be placed above an aquarium and is to be used ONLY over a completely covered aquarium.

## ENJOY YOUR NEW LED LIGHTING SYSTEM



**CURRENT**

WHAT'S NEXT

# INSTALLATION INSTRUCTIONS

## INSTRUCTIONS

Your PowerBrite LED system/module comes with hardware for mounting the light into an existing canopy, or the unit may set on top of a glass or acrylic top covering the aquarium.

Before proceeding with the installation, remove the components from the packaging-you should have the following parts:

- a) 1-LED Strip (contains four LED lamps)
- b) 1-120v transformer with quick disconnect (not available with PowerBrite Linking modules)
- c) Hardware kit (includes 2 retaining clips for LED strip, 4 Rubber pads & 2 screws)
- d) Linking Cable (available only with PowerBrite Linking Modules)

## CANOPY INSTALLATION

Step 1. If installing the LED strip into a canopy, place the canopy on a clean, flat surface so that the ceiling of the canopy is facing upwards for easier installation.

Step 2. Place the LED strip into the canopy and situate it to maximize the lighting effect and to allow room for connecting multiple units. Make sure that there is a path to one of the ends of the strip for routing the cord leading to the transformer. Mark the location of the LED strip into the canopy using a pencil or pen.

Step 3. Mount the retaining clip into the canopy using the included screws, making sure the head of the screw is flush with the base of the retaining clip.

Step 4. Attach the quick disconnect leading from the transformer to the LED strip but do not plug the transformer into a power outlet. Carefully route the cord along the ceiling of the canopy from the LED strip connection to the transformer, using cable guides if necessary. Allow for enough slack in the cable to create a drip loop where the transformer will plug into the power outlet.

Step 5. Use the PowerBrite linking cable to connect a PowerBrite Linking module (if applicable) to the main PowerBrite lighting system. Up to two modules (sold separately) can be added to each PowerBrite lighting system.

Step 6. Place the canopy back over the aquarium. The aquarium should have a glass or acrylic top between the PowerBrite LED strip and the water. Plug the transformer into a 110-120V GFCI protected outlet and enjoy!



LED PowerBrite System Mounted in a Canopy

# INSTALLATION INSTRUCTIONS

## PLACING LED DIRECTLY ON AQUARIUM TOP INSTALLATION

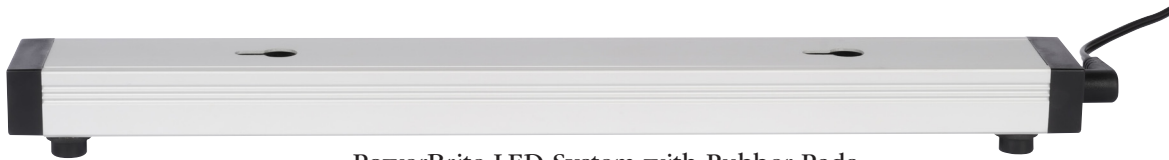
Step 1. Ensure that there is a glass or acrylic top covering the aquarium and that the surface of the top is clean and free from moisture and salt creep.

Step 2. Remove the adhesive side of the rubber pads and attach them to the face of the LED strips as shown below.

Step 3. Attach the quick disconnect leading to the transformer to the LED strip but do not plug the transformer into a power outlet. Route the power cord from the strip to the nearest power supply, ensuring the cord does not come into contact with or is routed over the aquarium water, as condensation and salt creep can build up and travel down the power cord to the LED strip or power supply. Allow for enough slack in the cable to create a drip loop where the transformer will plug into the power outlet.

Step 4. Use the PowerBrite linking cable to connect a PowerBrite Linking module to the main PowerBrite lighting system. Up to two modules (sold separately) can be added to each PowerBrite lighting system.

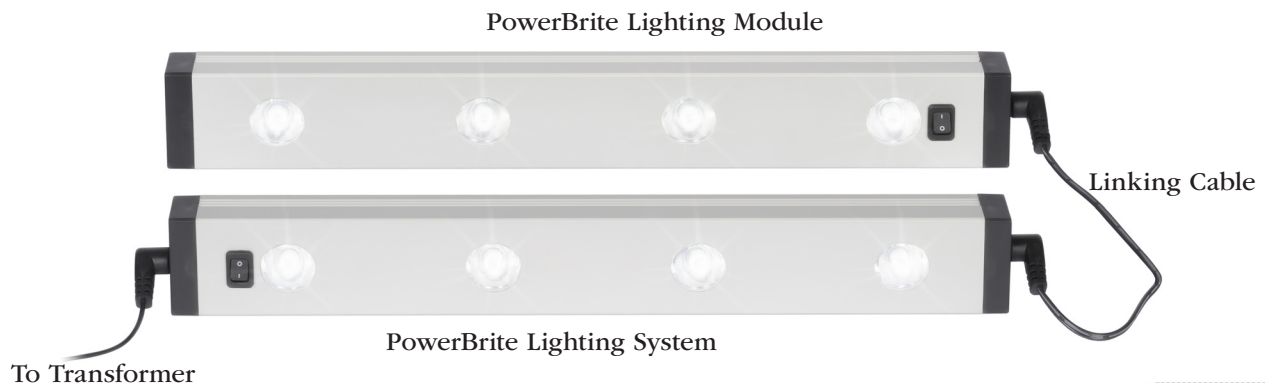
Step 5. Plug the power supply into a 110-120V outlet and enjoy. Use the following suggested setup ideas to configure the best lighting or effects you get from the PowerBrite LED system.



PowerBrite LED System with Rubber Pads

## LINKING MODULES

The PowerBrite LED Strip Lights are available in 10,000k Daylight, 460nm Actinic blue, and 10,000k/Actinic combination strips. Two LED modules can be added to the main unit powered by the transformer to create a blend of lighting unique to your aquarium. With the PowerBrite you can add a few modules to enhance the aquarium with a shimmering sunlight effect or retrofit the entire inside of your canopy for the ultimate LED experience.





# WARRANTY

## CURRENT USA, INC. ONE-YEAR LIMITED WARRANTY

Current USA, Inc. warrants this product against defects in materials and workmanship of a period of ONE (1) YEAR from the date of original retail purchase and is not transferable.

Warranty on all Products, including Aquariums, is limited to replacement of the product and does not cover fish loss, personal injury, property loss or direct, incidental or consequential damage arising to the use of this product.

Note: Current-USA, Inc. One-Year Limited Warranty does not cover damage caused by the following: freezing of the evaporator, improper installation, saltwater corrosion, electrical surges, or thermostat failure or modifications.

If you discover a defect, please see your retail store or point of purchase. Current USA, Inc. will, at its option, repair or replace the product at no charge to you, provided you return it during the warranty period. It is required that you present this warranty card and a copy of the bill of sale as proof of original purchase date, in the event the product needs repairs, within the warranty period. Please see your dealer for return options and warranty replacement parts.

This warranty applies only to products by or for Current USA, Inc. that can be identified by trade name, or logo affixed to them. Current-USA, Inc. does not warrant any products that are not Current-USA, Inc. products. This warranty does not apply if the product has been damaged by accident, abuse, misuse or misapplication or if the product has been modified without the written permission of Current-USA, Inc.; or if any Current-USA, Inc. logos have been removed or defaced. THE WARRANTY AND REMEDIES SET FORTH ABOVE ARE EXCLUSIVE AND IN LIEU OF ALL OTHERS, WHETHER ORAL OR WRITTEN, EXPRESS OR IMPLIED. Current USA, Inc. SPECIFICALLY DISCLAIMS ANY AND ALL IMPLIED WARRANTIES, INCLUDING BUT NOT LIMITED TO LOST PROFITS, DOWNTIME, GOODWILL, DAMAGE TO OR REPLACEMENT OF EQUIPMENT AND PROPERTY, AND ANY COSTS OF RECOVERING ANIMALS, PLANTS, TANKS OR OTHER AQUARIUM RELATED ITEMS AND/OR EQUIPMENT. Current USA, Inc. IS NOT RESPONSIBLE FOR SPECIAL, INCIDENTAL, OR CONSEQUENTIAL DAMAGES RESULTING FROM ANY BREACH OF WARRANTY, OR REPLACEMENT OF EQUIPMENT OR PROPERTY, OR ANY COSTS OF RECOVERING OR REPRODUCING ANY EQUIPMENT, ANIMALS OR PLANTS USED OR GROWN WITH Current USA, Inc. PRODUCTS. Some jurisdictions do not allow the exclusion or limitation of incidental or consequential damages or exclusions of implied warranties, so the above limitations or exclusions may not apply to you. This warranty gives you specific legal rights, and you may also have other rights that vary from jurisdiction to jurisdiction.